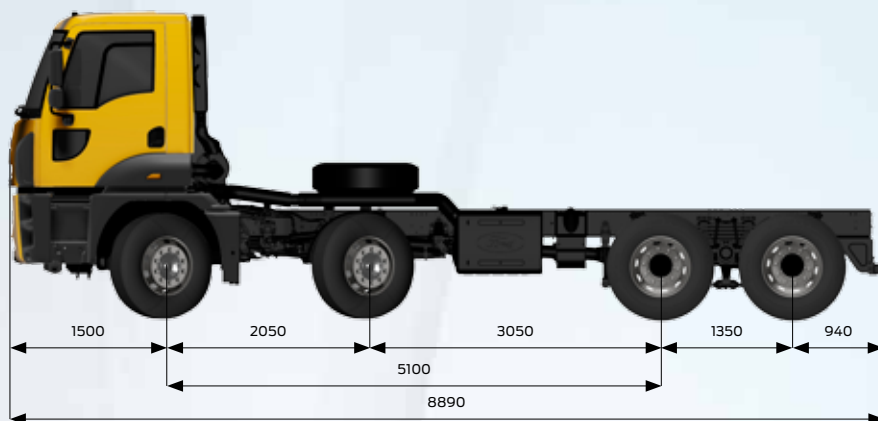


FORD TRUCKS 4143 DC EURO3



Basic Features

| | |
|----------------|------------|
| Vehicle Type | Road Truck |
| Axle | 8x4 |
| Emission | Euro 3 |
| Cabin Type | Day Cab |
| Wheelbase (mm) | 5100 |

Engine

| | |
|--------------------|--|
| Type | Ecotorq 12.7 litre |
| Displacement (cc) | 12740 |
| Diameter x Stroke | 130 mm x 160 mm |
| Power | 430 PS (316,3 kW) / 1800 rpm |
| Torque | 2150 Nm / 1000-1300rpm |
| Compression Ratio | 17 +/- 0,5 : 1 |
| Oil Filling Volume | 50 L |
| Coolant Volume | without Intarder 37 L ; with Intarder 57 L |

Transmission

| | |
|--|---------------------------------|
| Clutch | 430 mm Single Disc |
| Manuel Transmission / Ratios (1. gear - 16. gear) | ZF 16S 2230 (13,805-0,836) |
| Automated Transmission / Ratios (1. gear - 12. gear) | ZF 12 TX 2210 TD AMT (16,688-1) |

Steering

Power Assisted Single Circuit

Chassis

| | |
|---------------------------------|--|
| Chassis Thickness | 10mm with Reinforcement |
| Chassis Strength | 500 MPa |
| Suspension (Front / Rear) | Parabolic Leaf Springs / Parabolic Tandem Suspension |
| Axle | Hub Reduction |
| Axle Ratio (Manual / Automatic) | 4,08 / 3,57 |
| Tyres | 315/80 R 22,5 |
| Wheel Rim | 22,5 x 9 Steel |

Braking System

| | |
|---|---|
| Brakes (Front / Rear) (Ø.mm x mm. Length) | 410 X 200, Z-Cam Brake System |
| Braking System | Dual Brake Circuit – Air Processing Unit with Integrated Oil Seperator and Heater |
| Engine Brake Power | max. 340 kW (Engine Level) |
| Intarder Power | max. 600kW / continuous 160kW |

Electrical System

| | |
|----------------------------|----------------|
| Battery | 180 Ah |
| Alternator / Starter Motor | 130 A / 6.5 kW |

Tanks

| | |
|-----------|-------------|
| Fuel Tank | 250 L Steel |
|-----------|-------------|

Dimensions (mm)

| | |
|--|-------|
| Front Overhang | 1500 |
| Wheelbase | 5100 |
| Overall Length | 8890 |
| Distance Between 1 st and 2 nd Wheel Centers | 2050 |
| Distance Between 2 nd and 3 th Wheel Centers | 3050 |
| Distance Between 3 th and 4 th Wheel Centers | 1350 |
| Overall Cab Length | 2038 |
| Overall Vehicle Height | 3260 |
| Overall Vehicle Width (Excluding Mirrors) | 2540 |
| Chassis Width | 770 |
| Rear Overhang | 940 |
| Useful Chassis Length | 6535 |
| Chassis Height - Front | 285 |
| Chassis Height - Rear | 285 |
| Ground Clearance - Front | 579 |
| Ground Clearance - Rear | 265 |
| Turning Radius | 11930 |

| Weights (kg) | 1. Axle | 2. Axle | 3. Axle | 4. Axle | Total |
|---------------------------------|---------|---------|---------|---------|-------|
| Technically Permissible Weights | 7500 | 7500 | 13400 | 13400 | 39000 |
| Kerb Weight | 3629 | 3632 | 1845 | 1845 | 10951 |
| Payload | 3871 | 3868 | 11555 | 11555 | 28050 |

STANDARD EQUIPMENT

- Manual Air Conditioner
- Hot Climate Pack
- AM/FM/Aux In/USB/Bluetooth (Radio with Bluetooth)
- Conventional 2 -point independent Cab Suspension for Day Cabin
- Cruise Control
- Drum Brake
- Engine Brake
- Anti-Lock Brake System (ABS)
- Pad Wear Indicator
- Differential Lock
- Electrically Operated Windows
- Electrically Operated and Heated Side mirrors
- Electrically Operated Headlight Leveling
- Rake and Reach Adjustable Steering Column
- Heated and Air Suspended Driver Seat and Fixed Passenger Seat
- Lumbar Support
- Front and Rear Vehicle Antiroll Bar
- Immobilizer
- Single Key with Remote Control and Central Locking
- Home Safe Lights
- Approach Lights
- Double Roof Marker Lamps
- Spare Wheel
- Short Bumper
- Switchable Air Compressor for Improved Fuel Economy
- Rear Window
- Vertical Exhaust
- Headlamp Protection Grille
- Tinted Glass (70% Transmissibility)
- Tyre Pressure Gauge
- Roof Beacon Light
- Tachograph Signal Unit (TSU)
- Front Towing Hooks (Double Hook)

OPTIONAL EQUIPMENT

- Cold Pack (Includes Wet Type Heater and 225 Ah Battery)
- Transmission Direct (Single Gear) PTO without Flange (includes Power Take off Control Unit)
- Transmission Direct (Single Gear) PTO with Flange (includes Power Take off Control Unit)
- Transmission Offset (Double Gear) PTO without Flange (includes Power Take off Control Unit)
- Transmission Offset (Double Gear) PTO with Flange (includes Power Take off Control Unit)
- Engine Driven PTO (includes Power Take off Control Unit)
- Manually Operated Sunroof
- Auxiliary Cabin Heater (Wet Type)
- Automated Transmission (with Normal Mode, Power Mode, Rocking Mode)
- Intarder
- ADR Pack
- Power Cab Tilting
- Metallic Paint / Special Colors
- 6000 mm Wheelbase Option
- Horizontal Exhaust
- Lateral Protection
- Dual Passenger Seat
- Automatic Traction Control (ATC)
- Mechanical Tachograph

This leaflet includes products designed for Ford Trucks vehicles. It provides information about the current technical specifications and the standard or optional accessories available as of the date it was issued. Features of standard and optional accessories of the vehicles may be changed from time to time. For this reason, please consult our Authorized Dealers to obtain updated and accurate information on the features of the vehicle you wish to buy. For the aforementioned reason, this leaflet does not constitute an assurance as to the specifications listed herein. The images used in this leaflet may be different from the vehicles on sale. The technical specifications provided herein are for standard vehicles. Selection of any optional accessories might cause differences from these specifications.