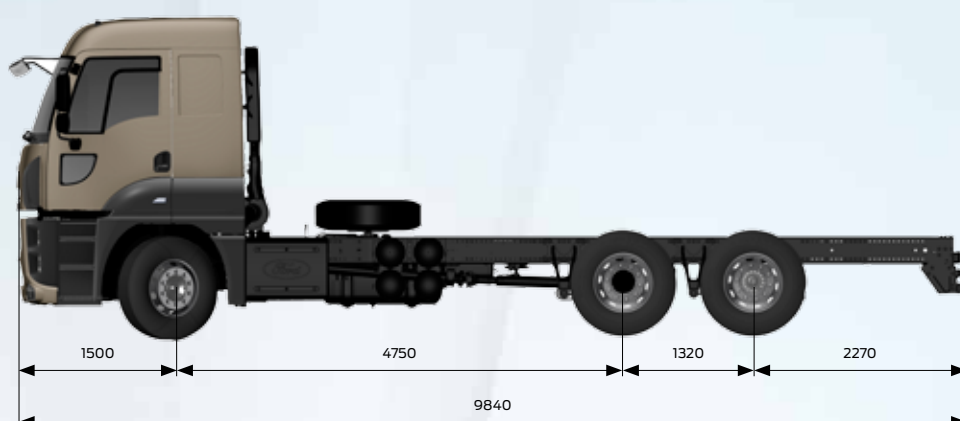
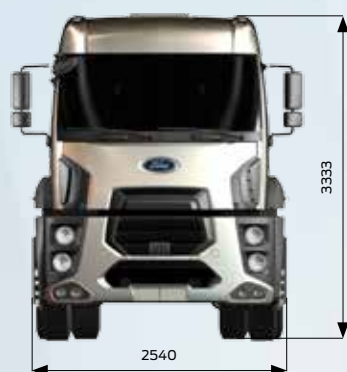


# FORD TRUCKS 2533 HR EURO3



## Basic Features

Vehicle Type	Road Truck
Axle	6x2
Emission	Euro 3
Cabin Type	High Roof Sleeper Cabin
Wheelbase (mm)	4750

## Engine

Type	Ecotorq 9 liters
Displacement (cc)	8974
Diameter x Stroke	115 mm x 144 mm
Power	330 PS (243 kW) @ 1900 rpm
Torque	1300 Nm @ 1200-1700 rpm
Compression Ratio	17,6 : 1
Oil Filling Volume	30 L
Coolant Volume	35 L

## Transmission

Clutch	430 mm Single Disc
Manuel Transmission / Ratios (1. gear - 9. gear)	9 + 1 Speed (9,40 - 0,75)

## Steering

Power Assisted Single Circuit

## Chassis

Chassis Thickness	7 mm with Reinforcement
Chassis Strength	355 MPa
Suspension (Front / Rear)	Parabolic Leaf Spring / Compensating Arm Mechanical Suspension
Axle (Front / Rear)	Standard Single Reduction
Axle Ratio	4,63
Tyres (Front / Rear)	315/80 R 22,5
Wheel Rim	22,5 x 9 Steel

## Braking System

Brakes (Front / Rear) (Ø.mm x mm. Length)	430 x 45 - Disc Brake
Braking System	Dual Brake Circuit - Air Processing Unit with Integrated Oil Separator and Heater
Engine Brake Power	max. 180 kW (Engine Level)

## Electrical System

Battery	24 V, 2 x 12 V 180 Ah
Alternator / Starter Motor	130 A / 6,5 kW

## Tanks

Fuel Tank	550 L Aluminium
-----------	-----------------

## Dimensions (mm)

Front Overhang	1500
Wheelbase	4750
Overall Length	9840
Distance Between 2 <sup>nd</sup> and 3 <sup>th</sup> Wheel Centers	1320
Overall Cab Length	2305
Overall Vehicle Height	3333
Overall Vehicle Width (Excluding Mirrors)	2540
Chassis Width	866
Rear Overhang	2270
Useful Chassis Length	7200
Chassis Height - Front	225
Chassis Height - Rear	285
Ground Clearance - Front	352
Ground Clearance - Rear	323
Turning Radius	10140

Weights (kg)	1. Axle	2. Axle	3. Axle	Total
Technically Permissible Weights	7100	12000	8700	26000
Kerb Weight	4689	1855	1394	7938
Payload	2411	10145	7306	18062

### STANDARD EQUIPMENT

- Manual Air Conditioner
- Hot Climate Pack
- AM/FM/Aux In/USB/Bluetooth (Radio with Bluetooth)
- High Roof Sleeper Cabin with Single Bed
- Conventional 4 -point independent Cab Suspension for Sleeper Cabin
- Cruise Control
- Disc Brake
- Engine Brake
- Electronic Brake System (EBS) and Anti-Lock Brake System (ABS)
- Electronic Brake Force Control
- Brake Lining Wear Sensor
- Hill Launch Assist
- Differential Lock
- Electrically Operated Windows
- Electrically Operated and Heated Side mirrors
- Electrically Operated Headlight Leveling
- Rake and Reach Adjustable Steering Column
- Heated and Air Suspended Driver Seat and Fixed Passenger Seat
- Lumbar Support
- Manually Operated Sunroof
- Front and Rear Vehicle Antiroll Bar
- Immobilizer
- Single Key with Remote Control and Central Locking
- Home Safe Lights
- Approach Lights
- Double Roof Marker Lamps
- Front Fog Lamps
- Spare Wheel
- Medium Bumper
- Horizontal Exhaust
- Tinted Glass (70% Transmissibility)
- Tyre Pressure Gauge
- Roof Beacon Light
- Tachograph Signal Unit (TSU)

### OPTIONAL EQUIPMENT

- Transmission Offset (Double Gear) PTO without Flange (includes Power Take off Control Unit)
- Transmission Offset (Double Gear) PTO with Flange (includes Power Take off Control Unit)
- Engine Driven PTO (includes Power Take off Control Unit)\*
- Electronic Stability Control (ESP)
- Auxiliary Cabin Heater (Dry Type)
- Auxiliary Cabin Heater (Wet Type)
- Firefighter Pack
- ADR Pack
- Power Cab Tilting
- Metallic Paint / Special Colors
- Rear Mechanical Suspension with 12R 22,5 tyres and 4,63 FDR
- Rear Mechanical Suspension with 315/60 R 22,5 tyres and 4,11 FDR
- Vertical Exhaust
- Lateral Protection
- Rear Towing Cross Member
- Mechanical Tachograph
- Front Towing Hooks (Double Hook)
- Upper Sleeper Bunk

\* Available for Fire Fighter Pack Only

This leaflet includes products designed for Ford Trucks vehicles. It provides information about the current technical specifications and the standard or optional accessories available as of the date it was issued. Features of standard and optional accessories of the vehicles may be changed from time to time. For this reason, please consult our Authorized Dealers to obtain updated and accurate information on the features of the vehicle you wish to buy. For the aforementioned reason, this leaflet does not constitute an assurance as to the specifications listed herein. The images used in this leaflet may be different from the vehicles on sale. The technical specifications provided herein are for standard vehicles. Selection of any optional accessories might cause differences from these specifications.